

- 1
- 2
- 3
- 4
- 5
- 6
- 7
- 8
- 9
- 10
- 11
- 12
- 13
- 14
- 15
- 16
- 17
- 18

MATERIAL

AISI 316L stainless steel, sandblasted matte finish.

REVOLVING HANDLE

Phenolic based (PF) Duroplast, black colour, glossy finish. AISI 316L stainless steel pin.

STANDARD EXECUTIONS

Turned and welded AISI 316L stainless steel hub.

- **GN 228-A4-B:** H9 reamed hole.
- **GN 228-A4-V:** H11 square hole.
- **GN 228-A4-K:** H9 reamed hole with keyway according to DIN 6885/1 tolerance P9.

Index for handle:

- **A:** without handle.
- **D:** with revolving handle.

FEATURES AND APPLICATIONS

GN 228-A4 spoked handwheels are suitable for applications in highly corrosive environments, robust and resistant to knocks and blows.

In the versions with revolving handle (D), special O-rings minimise the radial play, protecting the grip bearing from the penetration of impurities, and avoiding noises from vibrations.

The dimensions of the hub I1 and the diameter d3 correspond to those of the DIN 950 handwheel (see page....).

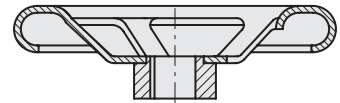
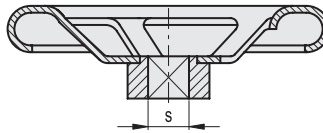
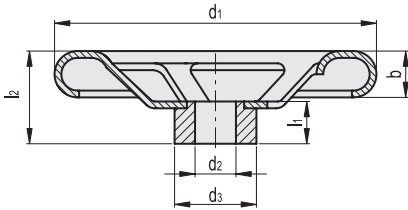


Conversion Table	
1 mm = 0.039 inch	
d1	
mm	inch
125	4.92
160	6.30
200	7.87
250	9.84
315	12.4
400	15.7

GN 228-A4-B-A

GN 228-A4-V-A

GN 228-A4-K-A



GN 228-A4-B-A

Code	Description	d1	d2 H9	d3	b	l1	l2	Spokes no.	Sheet metal thickness	⚖️
GN.23201	GN 228-A4-125-B11-A-GS	125	11	30	18	18	29	3	1.5	287
GN.23211	GN 228-A4-160-B12-A-GS	160	12	30	22	20	37	4	1.5	433
GN.23221	GN 228-A4-200-B14-A-GS	200	14	40	22	24	46	4	2.5	799
GN.23231	GN 228-A4-250-B17-A-GS	250	17	45	30	28	52	5	2.5	1536
GN.23241	GN 228-A4-315-B19-A-GS	315	19	55	35	33	64	5	2.5	2426
GN.23251	GN 228-A4-400-B24-A-GS	400	24	65	40	38	82	5	3	4231

GN 228-A4-V-A

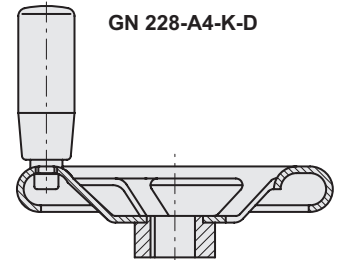
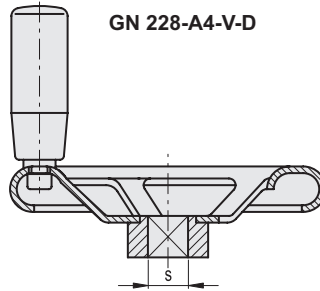
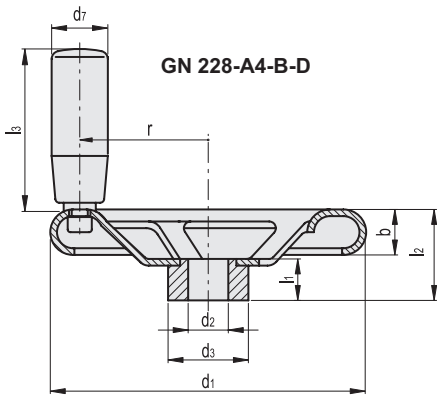
Code	Description	d1	sH11	d3	b	l1	l2	Spokes no.	Sheet metal thickness	⚖️
GN.23207	GN 228-A4-125-V11-A-GS	125	11	30	18	18	29	3	1.5	284
GN.23217	GN 228-A4-160-V12-A-GS	160	12	30	22	20	37	4	1.5	428
GN.23227	GN 228-A4-200-V14-A-GS	200	14	40	22	24	46	4	2.5	792
GN.23237	GN 228-A4-250-V17-A-GS	250	17	45	30	28	52	5	2.5	1524
GN.23247	GN 228-A4-315-V19-A-GS	315	19	55	35	33	64	5	2.5	2407
GN.23257	GN 228-A4-400-V24-A-GS	400	24	65	40	38	82	5	3	4196

GN 228-A4-K-A

Code	Description	d1	d2 H9	d3	b	l1	l2	Spokes no.	Sheet metal thickness	⚖️
GN.23204	GN 228-A4-125-K11-A-GS	125	11	30	18	18	29	3	1.5	286
GN.23214	GN 228-A4-160-K12-A-GS	160	12	30	22	20	37	4	1.5	432
GN.23224	GN 228-A4-200-K14-A-GS	200	14	40	22	24	46	4	2.5	797
GN.23234	GN 228-A4-250-K17-A-GS	250	17	45	30	28	52	5	2.5	1533
GN.23244	GN 228-A4-315-K19-A-GS	315	19	55	35	33	64	5	2.5	2422
GN.23254	GN 228-A4-400-K24-A-GS	400	24	65	40	38	82	5	3	4223

Handwheels and crank handles

Conversion Table	
1 mm = 0.039 inch	
d1	
mm	inch
125	4.92
160	6.30
200	7.87
250	9.84
315	12.4
400	15.7



GN 228-A4-B-D

INOX STAINLESS STEEL METRIC

Code	Description	d1	d2 H9	d3	b	l1	l2	l3	r	d7	Spokes no.	Sheet metal thickness	⚖
GN.23212	GN 228-A4-160-B12-D-GS	160	12	30	22	20	37	80	68	26	4	1.5	558
GN.23222	GN 228-A4-200-B14-D-GS	200	14	40	22	24	46	80	88	26	4	2.5	924
GN.23232	GN 228-A4-250-B17-D-GS	250	17	45	30	28	52	90	108	28	5	2.5	1702
GN.23242	GN 228-A4-315-B19-D-GS	315	19	55	35	33	64	90	138	28	5	2.5	2592
GN.23252	GN 228-A4-400-B24-D-GS	400	24	65	40	38	82	90	179	28	5	3	4397

GN 228-A4-V-D

Code	Description	d1	sH11	d3	b	l1	l2	l3	r	d7	Spokes no.	Sheet metal thickness	⚖
GN.23218	GN 228-A4-160-V12-D-GS	160	12	30	22	20	37	80	68	26	4	1.5	558
GN.23228	GN 228-A4-200-V14-D-GS	200	14	40	22	24	46	80	88	26	4	2.5	924
GN.23238	GN 228-A4-250-V17-D-GS	250	17	45	30	28	52	90	108	28	5	2.5	1702
GN.23248	GN 228-A4-315-V19-D-GS	315	19	55	35	33	64	90	138	28	5	2.5	2592
GN.23258	GN 228-A4-400-V24-D-GS	400	24	65	40	38	82	90	179	28	5	3	4397

GN 228-A4-K-D

Code	Description	d1	d2 H9	d3	b	l1	l2	l3	r	d7	Spokes no.	Sheet metal thickness	⚖
GN.23215	GN 228-A4-160-K12-D-GS	160	12	30	22	20	37	80	68	26	4	1.5	558
GN.23225	GN 228-A4-200-K14-D-GS	200	14	40	22	24	46	80	88	26	4	2.5	924
GN.23235	GN 228-A4-250-K17-D-GS	250	17	45	30	28	52	90	108	28	5	2.5	1702
GN.23245	GN 228-A4-315-K19-D-GS	315	19	55	35	33	64	90	138	28	5	2.5	2592
GN.23255	GN 228-A4-400-K24-D-GS	400	24	65	40	38	82	90	179	28	5	3	4397

